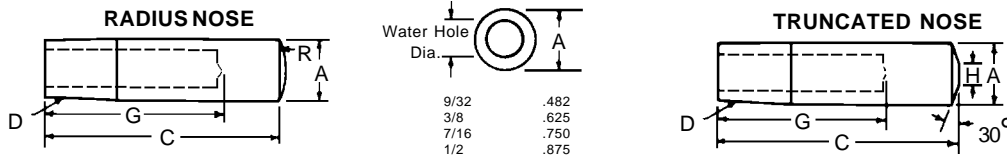


STRAIGHT ELECTRODES



T.J. Snow Co. (423) 894-6234; FAX: (423) 490-2417 (authorized distributor CMW Inc.)

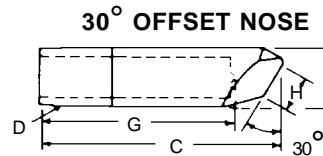
See Page 6
For Metric
Conversion
See Page 7
for taper
Dimensions



CMW® 28 Part No.	CMW® 3 Part No.	CMW® 100 Part No.	Major Dia. A	Overall Length C	Taper D	Hole Depth G	Spherical Radius R
Class 1	Class 2	Class 3					
1523	3523	5523	.625	1-1/2	5RW	3/4	2
1525	3525	5525		2		1-1/4	
1527	3527	5527		2-1/2		1-3/4	
1529	3529	5529		3	2-1/4		
15218	35218	55218		4	3-1/4		
1623	3623	5623		1-1/2	OR	3/4	
1625	3625	5625		2		1-1/4	
1627	3627	5627		2-1/2		1-3/4	
1629	3629	5629		3	2-1/4		
16218	36218	56218		4	3-1/4		
1825	3825	5825		2	2MT	1-1/4	3
1829	3829	5829		3		2-1/4	
1925	3925	5925	2	2MT	1-1/4	4	
1929	3929	5929	3		2-1/4		

CMW® 28 Part No.	CMW® 3 Part No.	CMW® 100 Part No.	Major Dia. A	Overall Length C	Taper D	Hole Depth G	Face Diam. H
Class 1	Class 2	Class 3					
1712	3712	5712	.482	1-1/4	4RW OR	3/4	3/16
1713	3713	5713		1-1/2		1	
1715	3715	5715		2		1-1/2	
1717	3717	5717	.625	2-1/2	1MT	2	1/4
1718	3718	5718		2-3/4		2-1/4	
1723	3723	5723		1-1/2		3/4	
1725	3725	5725	2	5RW OR	1-1/4	1/4	
1727	3727	5727	2-1/2		1-3/4		
1729	3729	5729	3		2-1/4		
17218	37218	57218	4	2MT	3-1/4		

CMW® 28 Part No.	CMW® 3 Part No.	Major Dia. A	Overall Length C	Taper D	Hole Depth G	Face Dia. H
Class 1	Class 2					
16-2491	16-2494	.482	2	4RW 1MT	1-1/2	1/4
16-2492	16-2495	.625	2-1/2	5RW 2MT	2	3/8
16-2493	16-2496	.875	3	7RW 3MT	2-1/4	1/2



ELKONITE® AND ELKON® FACED STRAIGHT MORSE TAPER ELECTRODES

ELKONITE® 10W3 Face	ELKON® 100M Face	ELKON® 100W Face	Major Dia. A	ELKON® OR ELKONITE® Lg. B	Over all Lg. C	Taper D	Hole Depth G	Face Dia. H
---------------------	------------------	------------------	--------------	---------------------------	----------------	---------	--------------	-------------

ELKONITE® AND ELKON® DOME NOSE

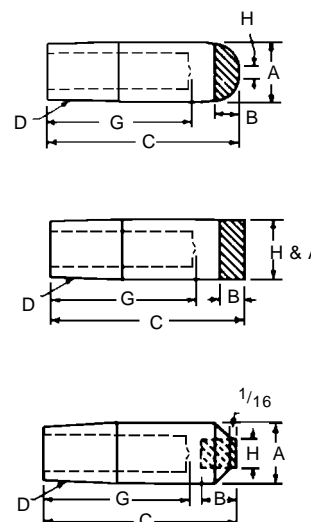
611050	811050	911050	.482	3/16	2	4RW 1MT	1-1/2	1/8
612050	812050	912050	.625	1/4	2	5RW 2MT	1-1/2	1/8

ELKONITE® AND ELKON® FLAT NOSE

631050	831050	931050	.482	3/16	2	4RW 1MT	1-1/2	.482
632030	832050	932050	.625	1/4	2	1-1/2 5RW	1	5/8
632050						2	1-1/2	
632070						2-1/2 2MT	2	
16-1353			.625	1/4	2-1/2		5/8	
633050	833050	933050	.875	1/4	2	7RW 3MT	1-1/2	7/8

ELKON® CENTERED INSERT NOSE

871050	971050	482	3/8	2	4RW 1MT	1-1/2	3/16
872050	972050	.625	3/8	2	5RW 2MT	1-1/2	1/4



Electrodes of other tapers and alloys available upon request. For other ELKONITE® and ELKON® materials see page 5 and for other recommended uses see the chart on page 56. Electrodes faced with material other than those shown on this page are available to special order.