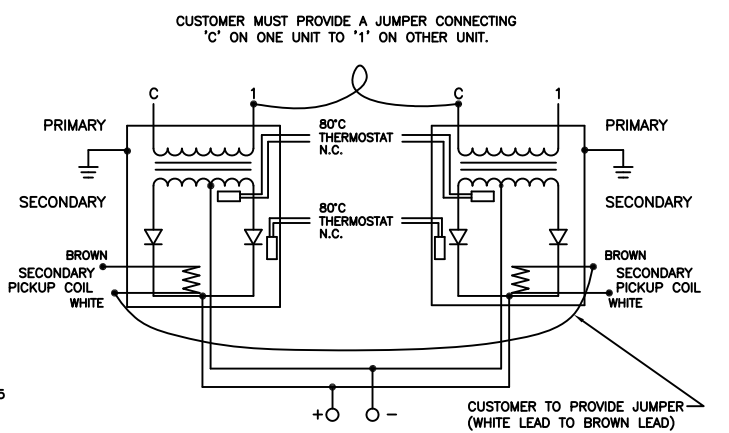
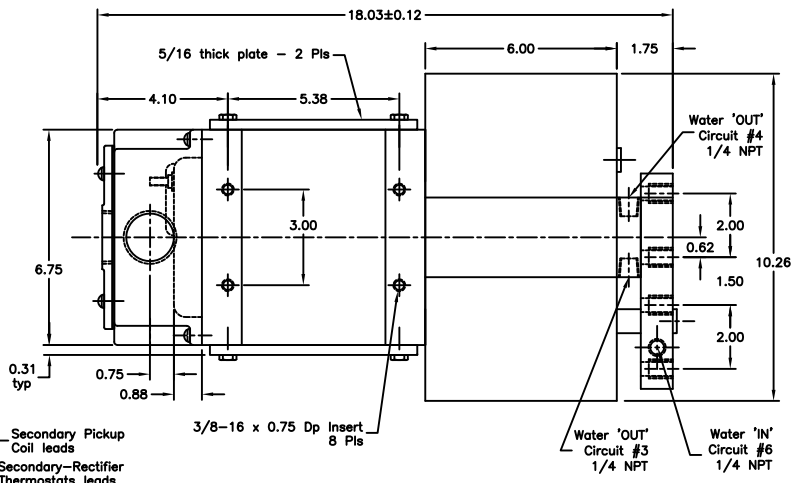
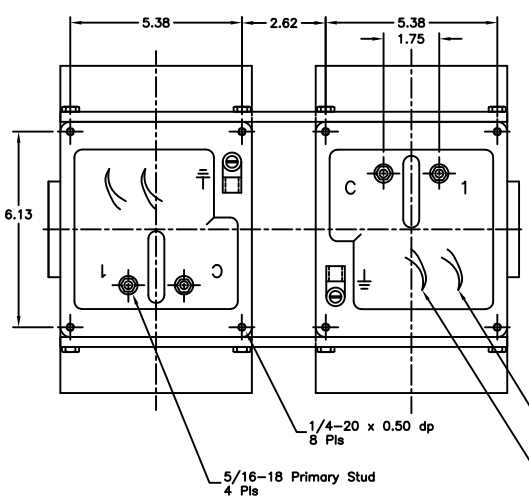
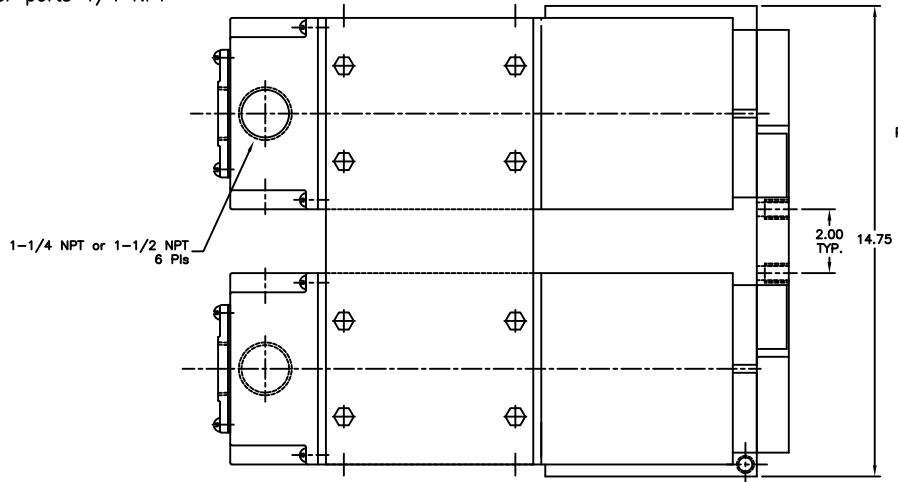
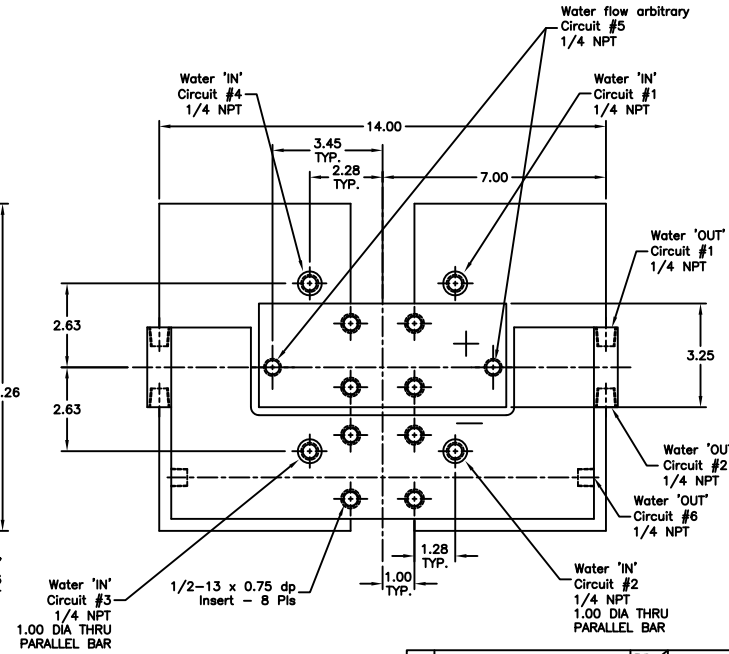


MODEL	KVA ⊙ 50% DC	PRIMARY VOLT/FREQ	SECONDARY VOLTAGE (DC)		TURNS RATIO		WEIGHT LBS
			LO-TAP	HI-TAP	LO-TAP	HI-TAP	
TDC-1066	340	650/1200	10.83	-	60:1	-	275

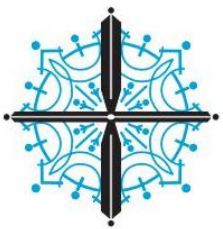
Cooling requirements: circuits #1-4, 2 GPM per circuit @ 30°C  
circuits #5 & 6 may be seriesed, 1 GPM @ 30°C  
(9 GPM TOTAL) All water ports 1/4 NPT



TRANSFORMER CASES MUST BE GROUNDED. USER MUST PROVIDE APPROPRIATE GROUNDING OF SECONDARY CIRCUIT. FOR APPLICATIONS ABOVE A 20% DUTY CYCLE, CONTACT ROMAN MANUFACTURING FOR ASSISTANCE.



NOTE\*  
The secondary terminals of this device are intended as an electrical connection only. Applications must be designed to minimize any forces applied to the secondary terminals, this can be accomplished by transferring forces to a structural member.



**T. J. SNOW CO.**  
120 Nowlin Lane • P.O. Box 22847  
Chattanooga, Tennessee 37421  
Phone: (423) 894-6234 • Fax: (423) 892-3889  
welders@tjsnow.com or www.tjsnow.com

REV	DESCRIPTION	DATE
G	CORRECTED SCHEMATIC (+ & - WERE REVERSED)	27JUNE05
F	Added Jumper (See pick-up) to Schematic	01Sep04
E	Revised weight, was 285 lbs	23Apr01
D	Revised Schematic; C,1 was L1,L2	23Apr01
C	Added 9 GPM TOTAL to note	11Oct99
B	Corrected Schematic. In Series was in Parallel	09Feb99
A	Secondary voltage was 13.0, TR was 50:1	08JUN98 acg

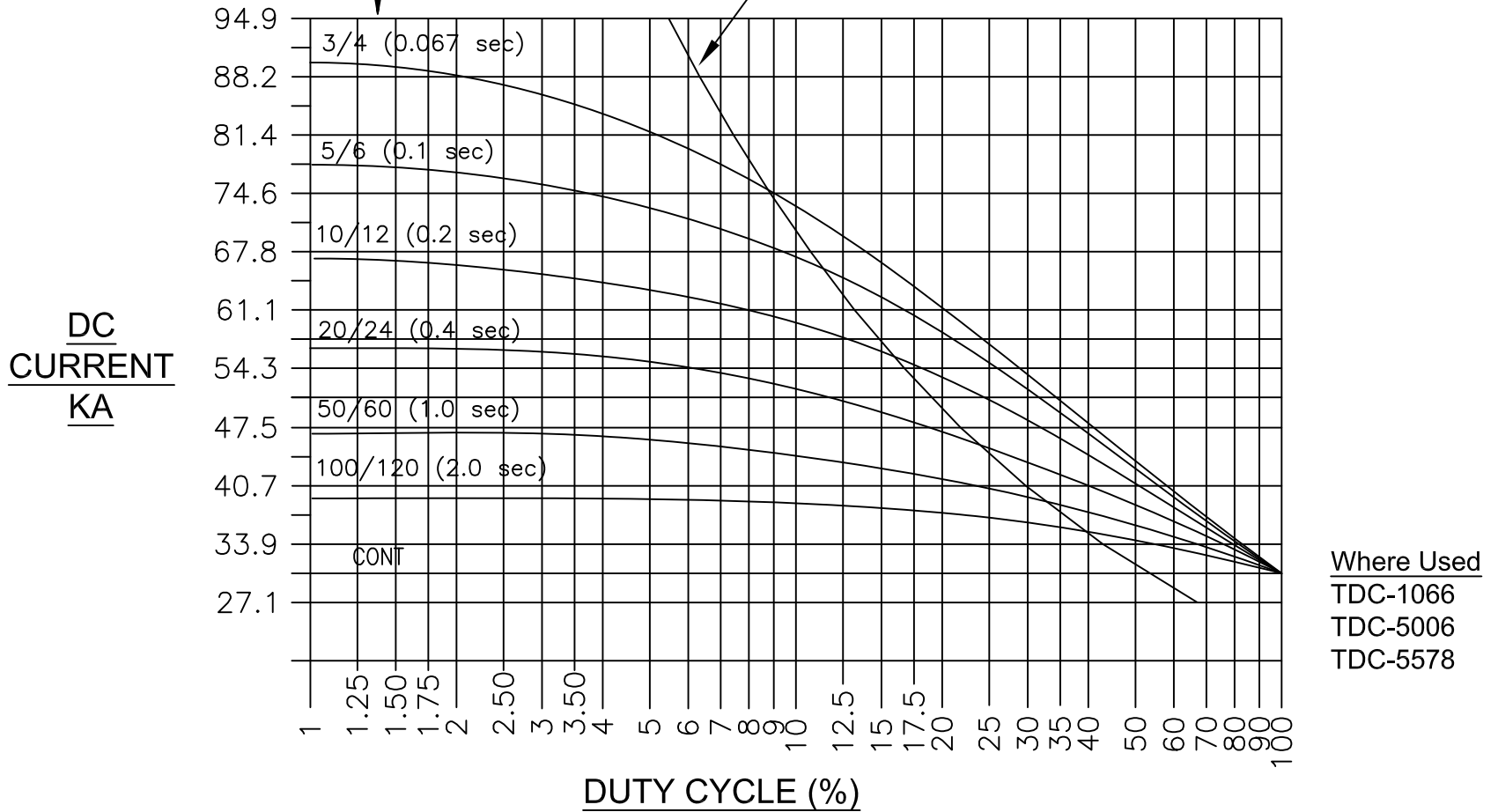
REV	DESCRIPTION	DATE
SCALE: NONE	DATE: 18MAY98	DRAWN BY: ACG
DC POWER SUPPLY TDC-1066		1010326

1010326

**Power Supply Rating Diagram, Single Phase, Center Tap Rectifier.  
8 Diode(s) per rectifier leg  
16 Diodes total**

Weld time in cycles (50/60 Hz)  
Rectifier rating curve

Transformer Rating Curve



**Notes:**

These curves are based on rated water flow of 8 G.P.M (30 L.P.M.).  
Maximum water in temperature of 30°C.  
For applications above a 20% duty cycle, contact  
Roman Manufacturing for assistance.

**Rectifier Rating:**

% Duty Cycle is based on shortest time from beginning of one  
weld to the beginning of next weld. On time/(On + Off time).

**Transformer Rating:**

% Duty Cycle is total "On" time in one minute.

C	Added 'Duty cycle' note	05MAR03 CK
B	Updated water flow 30 LPM was 32 LPM	22SEP00 acg
A	Added LPM water flow to notes removed Hz rating	07OCT99 acg
REV	DESCRIPTION	DATE
<small>THIS DRAWING AND ALL THE INFORMATION AND TECHNOLOGY IN IT ARE EXCLUSIVE, CONFIDENTIAL AND PROPRIETARY TO ROMAN MFG, INC. THIS DRAWING IS OWNED BY ROMAN MFG, INC. AND UNLESS SPECIFICALLY AUTHORIZED IN WRITING, NO COPIES SHALL BE MADE OF THIS DRAWING, AND SHALL BE USED ONLY FOR THE LIMITED PURPOSE FOR WHICH IT IS DISCLOSED AND ONLY TO THE BENEFIT OF ROMAN MFG, INC. AND IT AND ANY COPIES, AUTHORIZED OR NOT, SHALL BE IMMEDIATELY RETURNED UPON ANY REQUEST THEREFORE.</small>		
SCALE:	NONE	DRAWN BY: KLY
DATE:	21OCT98	REVISED:
E	Added TDC-5578 To Where Used Table	14Nov07 KLY
D	Added TDC-5006 To Where Used Table	19Jan06 KLY
RATING CURVE		DRAWING NUMBER: 1110084

1110084