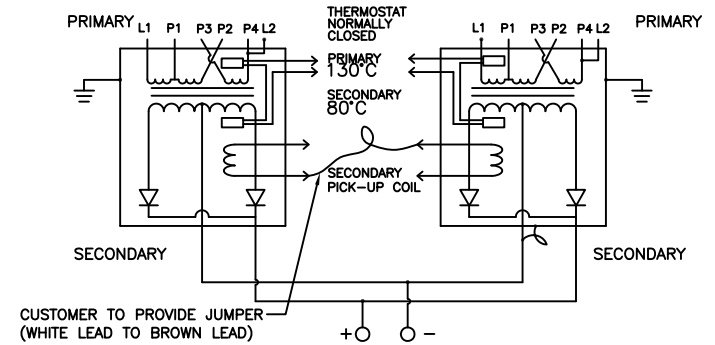
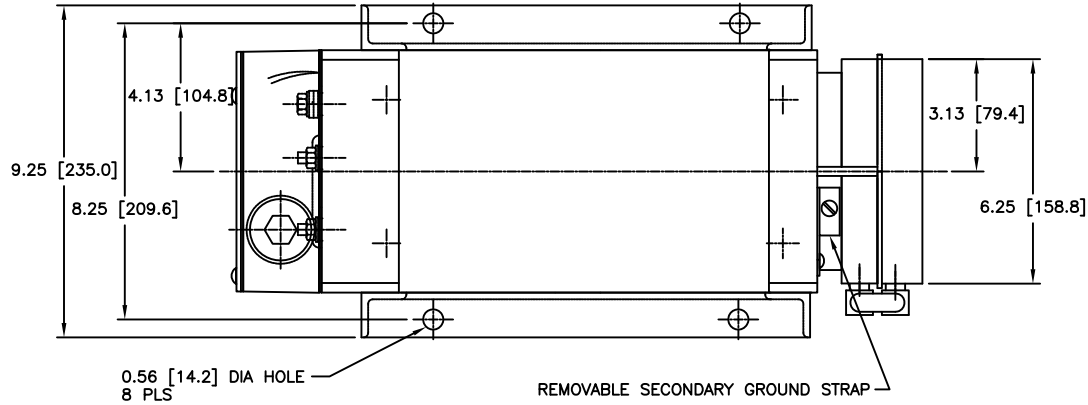
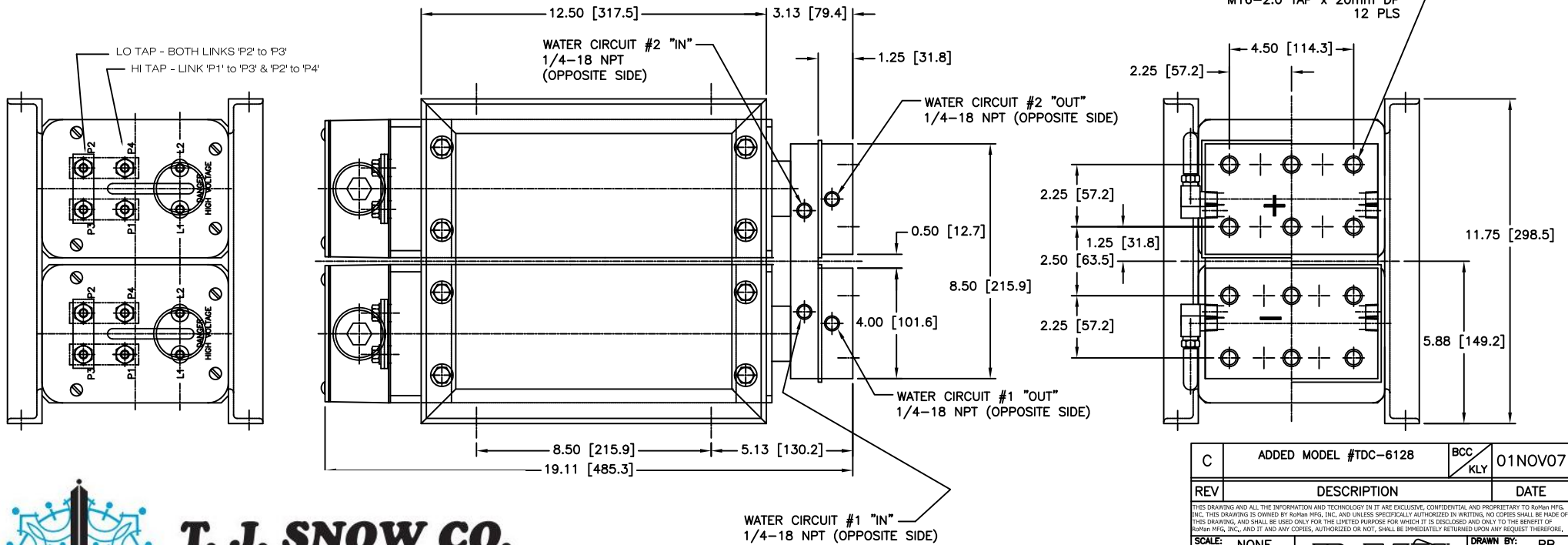


COOLING REQUIREMENTS: 7.5 LPM @ 30°C PER CURCUIT
15 LPM TOTAL

KVA ● 50% DC	MODEL NUMBER	PRIMARY VOLT/FREQ	SECONDARY VOLTAGE		TURNS RATIO		WEIGHT LBS	FLOW RATE LPM
			TAP 1	TAP 2	TAP 1	TAP 2		
320	TDC-5874	500V/1000Hz	9.0	13.1	55:1	38:1	190	15
320	TDC-5876	650V/1000Hz	9.0	13.0	72:1	50:1	190	15
320	TDC-6128	800V/1000Hz	9.1	13.1	88:1	61:1	190	15



TRANSFORMER CASE MUST BE GROUNDED. TRANSFORMER WILL BE SHIPPED WITH A JUMPER CONNECTING SECONDARY CENTER TAP TO CASE. USER MUST PROVIDE APPROPRIATE GROUNDING OF SECONDARY CIRCUIT. FOR APPLICATIONS ABOVE A 20% DUTY CYCLE, CONTACT ROMAN MANUFACTURING FOR ASSISTANCE.



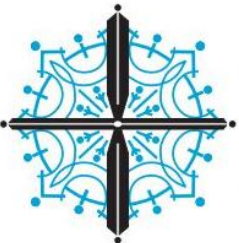
T. J. SNOW CO.

120 Nowlin Lane • P.O. Box 22847
Chattanooga, Tennessee 37421

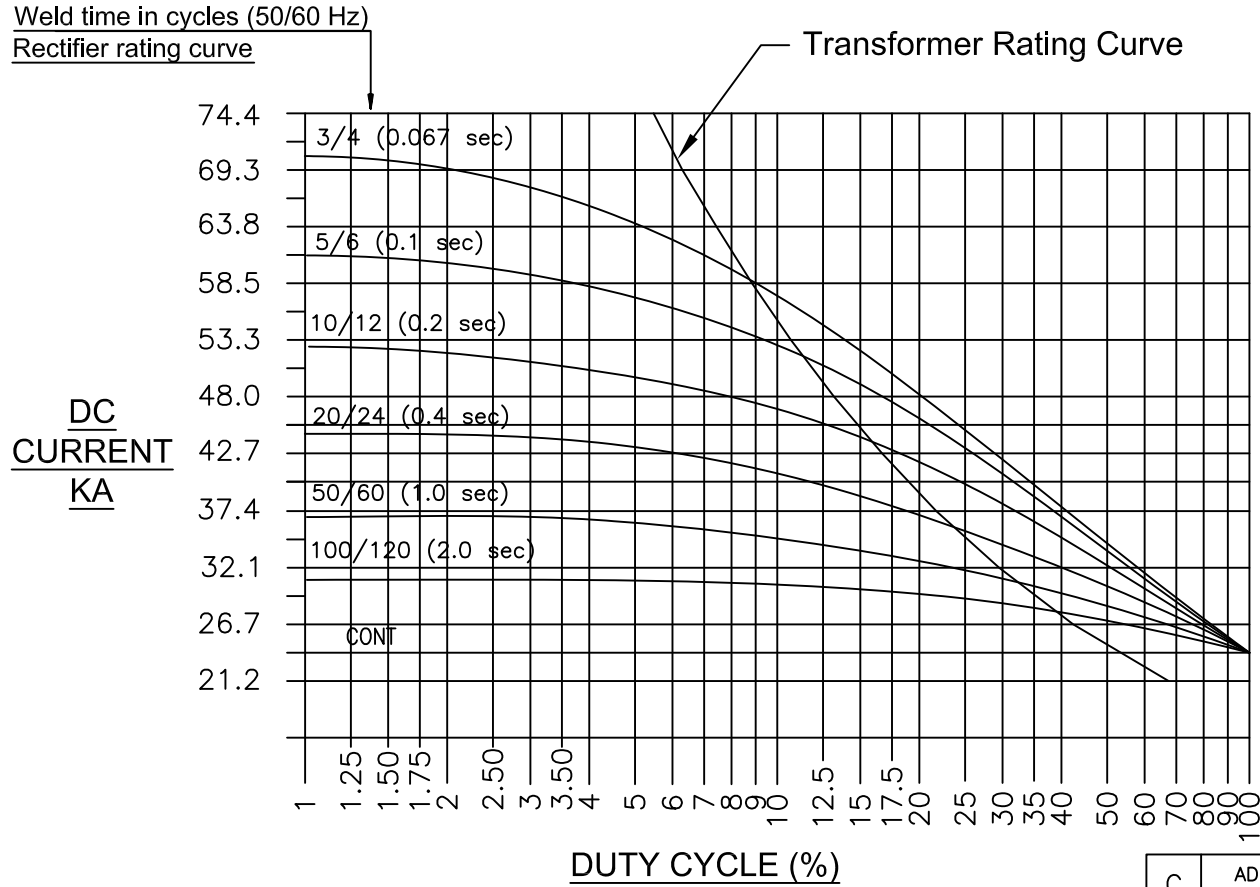
Phone: (423) 894-6234 • Fax: (423) 892-3889
welders@tjsnow.com or www.tjsnow.com

RATING CURVE RC-5874
DIMENSIONS = INCH [MM]

C	ADDED MODEL #TDC-6128	BCC KLY	01NOV07
REV	DESCRIPTION	DATE	
THIS DRAWING AND ALL THE INFORMATION AND TECHNOLOGY IN IT ARE EXCLUSIVE, CONFIDENTIAL AND PROPRIETARY TO ROMAN MFG. INC. THIS DRAWING IS OWNED BY ROMAN MFG. INC. AND UNLESS SPECIFICALLY AUTHORIZED IN WRITING, NO COPIES SHALL BE MADE OF THIS DRAWING, AND SHALL BE USED ONLY FOR THE LIMITED PURPOSE FOR WHICH IT IS DISCLOSED AND ONLY TO THE BENEFIT OF ROMAN MFG. INC. AND IT AND ANY COPIES, AUTHORIZED OR NOT, SHALL BE IMMEDIATELY RETURNED UPON ANY REQUEST THEREFORE.			
SCALE:	NONE	DRAWN BY:	RB
DATE:	03Nov06	WEIGHT:	
POWER SUPPLY			
D	ADDED SECONDARY GROUND STRAP & NOTE TO DRAWING	BCC KLY	04JAN10
		PHYSICAL DRAWING	
			DRAWING NUMBER: 5874-1



Power Supply Rating Diagram, Single Phase, Center Tap Rectifier. Size 6 Rectifier



Where used
 TDC-5874
 TDC-5876
 TDC-5910
 TDC-6128
 TDC-6230
 TDC-6327
 TDC-6361
 TDC-7015
 TDC-7021
 TDC-7024
 TDC-7078
 TDC-7099

Notes:

These curves are based on rated water flow of 2 G.P.M. (7.5 L.P.M.), Maximum water in temperature of 30°C.
 For applications above a 20% duty cycle, contact Roman Manufacturing for assistance.

Rectifier Rating:

% Duty Cycle is based on shortest time from beginning of one weld to the beginning of next weld. On time/(On + Off time).

Transformer Rating:

% Duty Cycle is total "On" time in one minute.

C	ADDED TDC-5910 & TDC-6327 TO WHERE USED LIST	TVD KLY	02OCT08
B	Added TDC-6128 to where used list	GMA KLY	04Aug08
A	Added TDC-6230 to where used list	KLY KLY	05Jun08
H	ADDED TDC-7078 TO "WHERE USED"	BCC KLY	21MAR12
G	ADDED TDC-7021 TO "WHERE USED"	BCC KLY	20Oct11
F	ADDED TDC-7024 TO "WHERE USED"	KLY GMA	06Oct11
E	ADDED TDC-7015 TO "WHERE USED"	KLY KLY	29Sep11
D	ADDED TDC-6361 TO "WHERE USED"	RB KLY	19Nov08
REV	DESCRIPTION	DATE	
<small>THIS DRAWING AND ALL THE INFORMATION AND TECHNOLOGY IN IT ARE EXCLUSIVE, CONFIDENTIAL AND PROPRIETARY TO RoMan MFG. INC. THIS DRAWING IS OWNED BY RoMan MFG. INC. AND UNLESS SPECIFICALLY AUTHORIZED IN WRITING, NO COPIES SHALL BE MADE OF THIS DRAWING, AND SHALL BE USED ONLY FOR THE LIMITED PURPOSE FOR WHICH IT IS DISCLOSED AND ONLY TO THE BENEFIT OF RoMan MFG. INC., AND IT AND ANY COPIES, AUTHORIZED OR NOT, SHALL BE IMMEDIATELY RETURNED UPON ANY REQUEST THEREFORE.</small>			
SCALE:	NONE		DRAWN BY: KLY
DATE:	06Nov06		WEIGHT:
RATING CURVE			DRAWING NUMBER: RC-5874

RC-5874