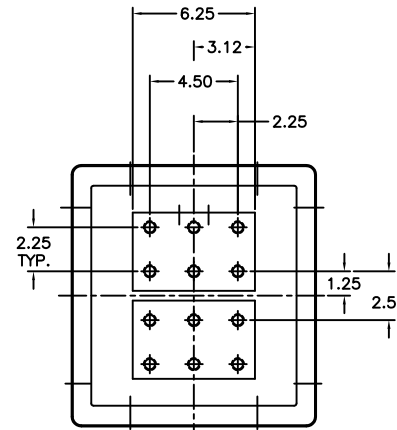
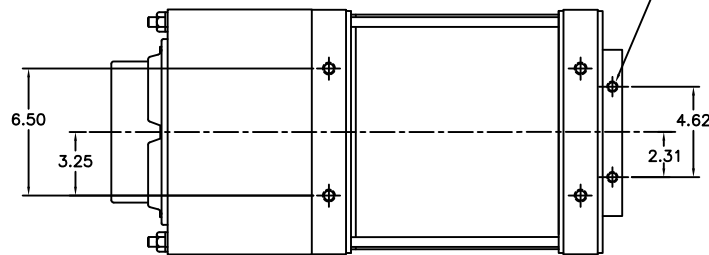


**T. J. SNOW CO.**

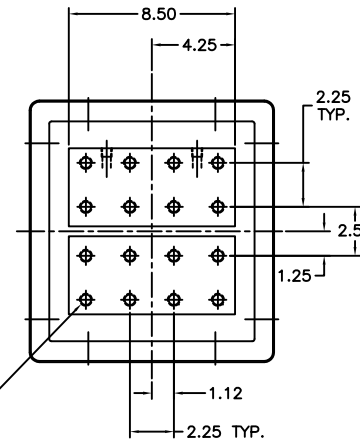
120 Nowlin Lane • P.O. Box 22847  
 Chattanooga, Tennessee 37421  
 Phone: (423) 894-6234 • Fax: (423) 892-3889  
 welders@tjsnow.com or www.tjsnow.com

FRAME LETTER	DIM "A"	DIM "B"
PL	26.12	12.87
PA	28.38	15.12

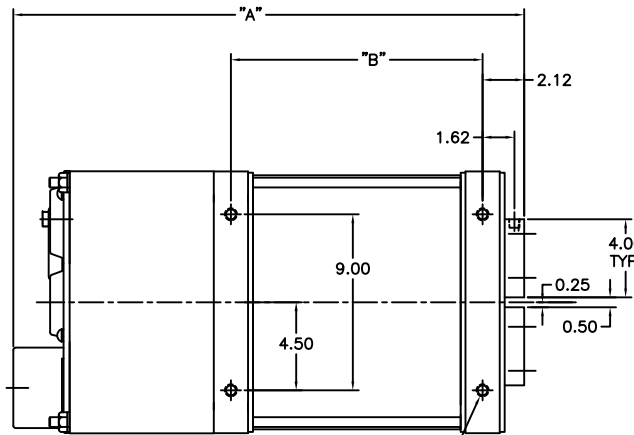
1/4 N.P.T. WATER CONNECTION  
 1 G.P.M. MINIMUM ~ 2 PLACES



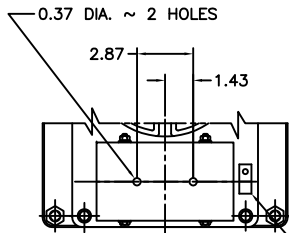
#2 R.W.M.A. PAD OPTION



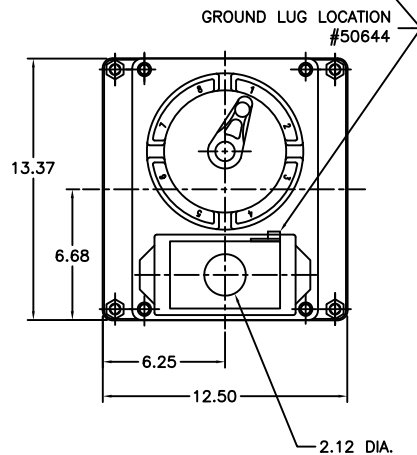
5/8-11 X 0.75 DEEP TAP ~ 16 PLACES



5/8-11 X 0.87 DEEP TAPPED  
 MTG. HOLES ~ 16 PLACES



CLAMP BLOCK OPTION



GROUND LUG LOCATION  
 #50644



**MACHINE TYPE TRANSFORMER**  
 TAP SWITCH: END MOUNT  
 FRAME CROSS SECTION: 12.50 X 13.37"

DRAWING NO. R1093  
 DATE: DEC. 1982

REV. C  
 JUNE 1999

REV	DESCRIPTION	DATE
C	ADDED GROUND LUG LOCATIONS	19May11
B	CHANGE FRACTIONS TO DECIMALS	28Jun99
A	CHANGED OVER TO CAD	28Jan98

THIS DRAWING AND ALL THE INFORMATION AND TECHNOLOGY ON IT ARE EXCLUSIVE, CONFIDENTIAL AND PROPRIETARY TO ROMAN, INC. THIS DRAWING IS OWNED BY ROMAN, INC. AND THE INFORMATION CONTAINED HEREIN IS UNCLASSIFIED AND NOT SUBJECT TO THE PROVISIONS OF THE NATIONAL ARCHIVES ACT. THE INFORMATION CONTAINED HEREIN IS UNCLASSIFIED AND NOT SUBJECT TO THE PROVISIONS OF THE NATIONAL ARCHIVES ACT. THE INFORMATION CONTAINED HEREIN IS UNCLASSIFIED AND NOT SUBJECT TO THE PROVISIONS OF THE NATIONAL ARCHIVES ACT.

SCALE: NONE	DATE: 28Jan98	ROMAN	DRAWN BY: BK
CATALOG DRAWING			DESIGN: BK
"P" FAMILY MACHINE TYPE			DRAWING NUMBER: R1093