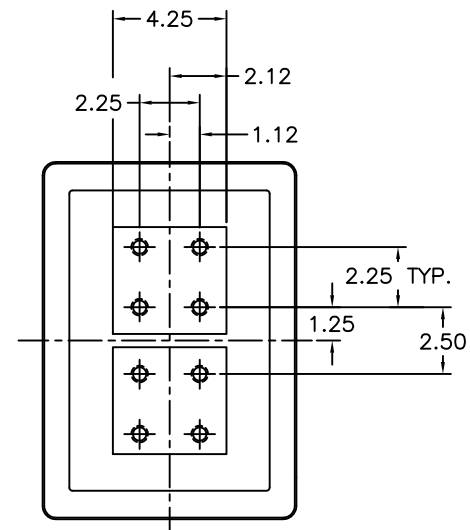
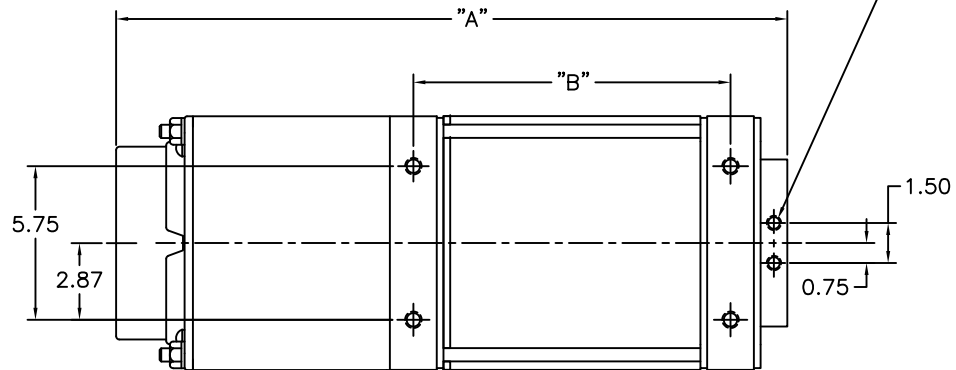
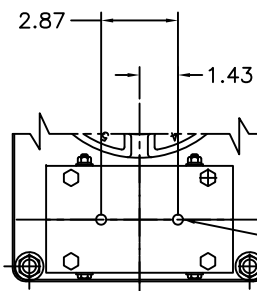


FRAME LETTER	DIM "A"	DIM "B"
NL	25.12	11.87
NA	27.37	14.12
NB	23.25	10.00

1/4 N.P.T. WATER CONNECTIONS  
1 G.P.M. MINIMUM ~ 2 PLACES

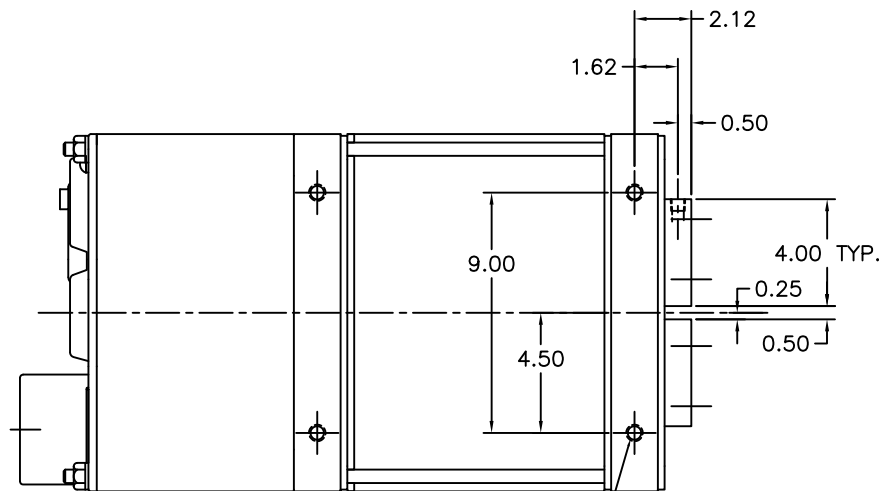


# 1 R.W.M.A. PAD OPTION

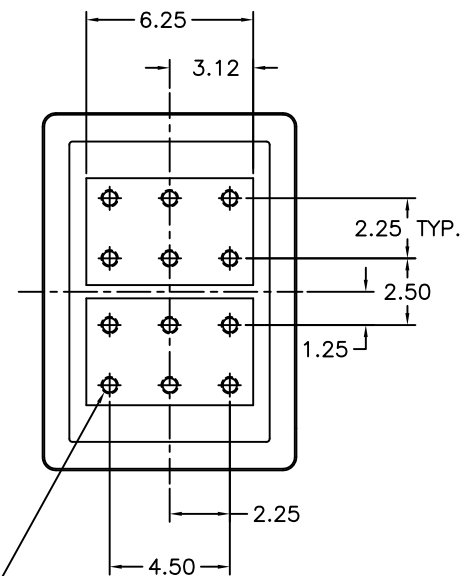


0.37 DIA. ~ 2 HOLES

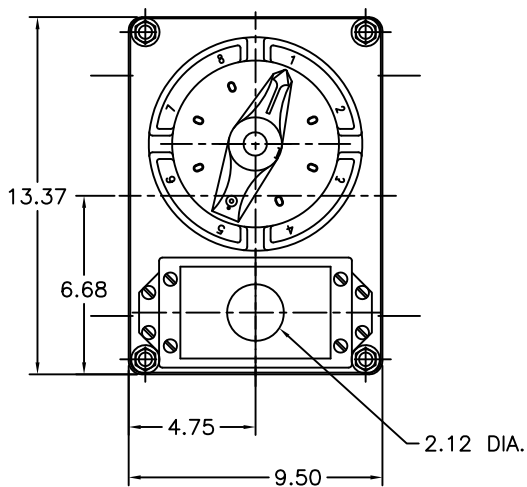
CLAMP BLOCK OPTION



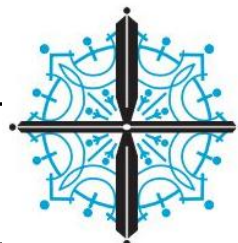
5/8-11 X 0.87 DEEP TAPPED  
MTG. HOLES ~ 16 PLACES



5/8-11 X 0.75 DEEP TAP  
12 PLACES



MACHINE TYPE TRANSF  
TAP SWITCH: END MOUNT  
FRAME CROSS SECTION: 9.50" X 13.37"



**T. J. SNOW CO.**

120 Nowlin Lane • P.O. Box 22847  
Chattanooga, Tennessee 37421  
Phone: (423) 894-6234 • Fax: (423) 892-3889  
welders@tjsnow.com or www.tjsnow.com