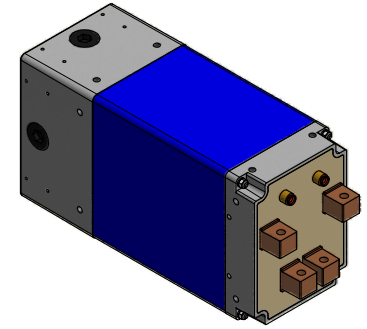
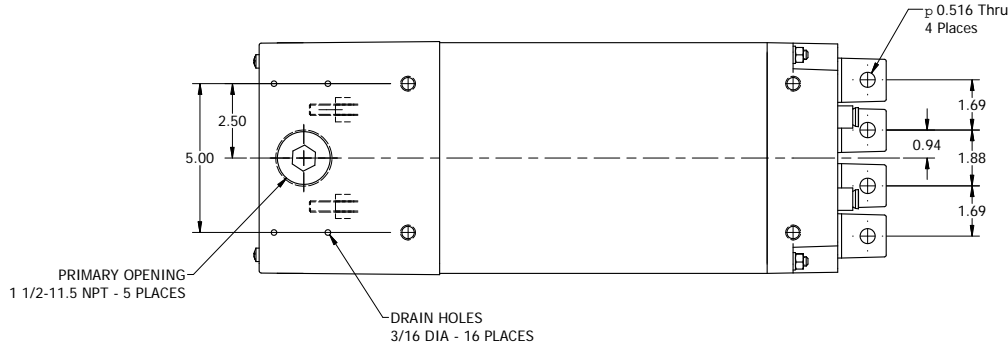
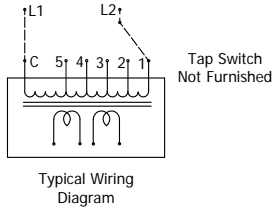
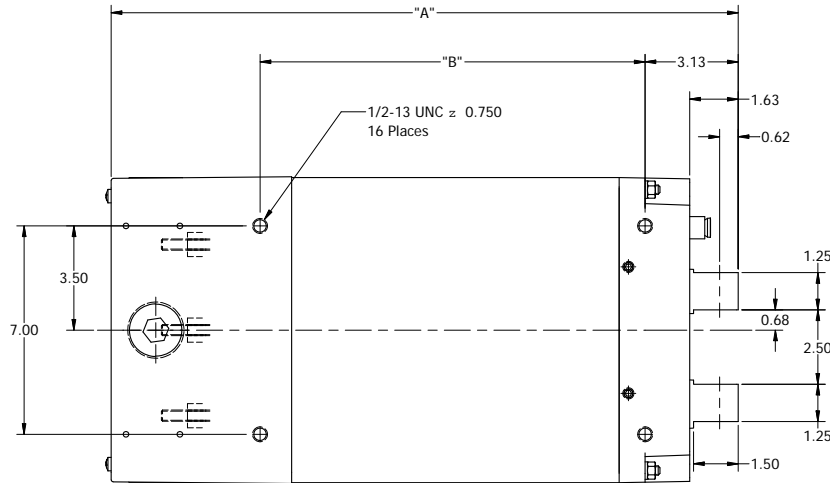
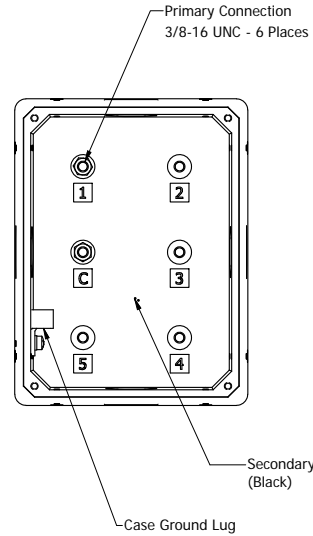


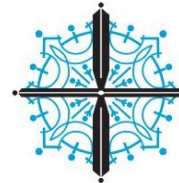
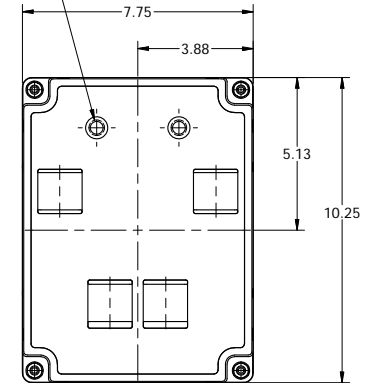
FRAME	Dimension "A"	Dimension "B"	Weight
C	21.06	12.93	255#
D	23.56	15.43	305#
F	24.38	16.25	320#
DL	27.69	19.56	385#



WATER FLOW 1 GPM MIN. @ 30°C (86°F)



Water Connection
1/4-18 NPT - 2 Places



T. J. SNOW CO.

120 Nowlin Lane • P.O. Box 22847
Chattanooga, Tennessee 37421
Phone: (423) 894-6234 • Fax: (423) 892-3889
welders@tjsnow.com or www.tjsnow.com

REV	DESCRIPTION	DATE
B	ADDED WIRING DIAGRAM	10/17/2012
A	MOVED LOCATION OF THERMOSWITCH LEADS	10/8/2012
REV	DESCRIPTION	DATE

THIS DRAWING AND ALL THE INFORMATION AND TECHNOLOGY IS IT AND EXCLUSIVE, CONFIDENTIAL AND PROPRIETARY TO RWM-MET. THIS INFORMATION IS NOT TO BE REPRODUCED OR TRANSMITTED IN ANY FORM OR BY ANY MEANS, ELECTRONIC OR MECHANICAL, INCLUDING PHOTOCOPYING, RECORDING, OR BY ANY INFORMATION STORAGE AND RETRIEVAL SYSTEM. THIS DRAWING AND SHALL BE USED ONLY FOR THE LIMITED PURPOSE FOR WHICH IT IS SPECIFIED AND ONLY TO THE EXTENT OF SAID SPECIFICATIONS. ANY OTHER USE OR REPRODUCTION WITHOUT THE WRITTEN PERMISSION OF RWM-MET IS STRICTLY PROHIBITED.

SCALE: None	DRAWN BY: rbowerman
DATE: 7/5/2012	APPROVED: N/A

Transformer

RWM STAGGERED - C.D.F.DL	DRAWING NUMBER: R4503
--------------------------	------------------------------