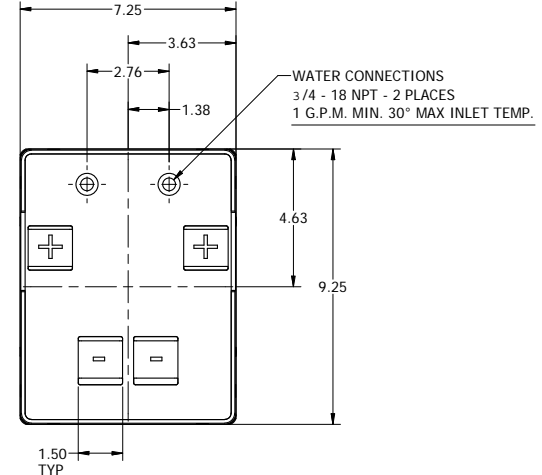
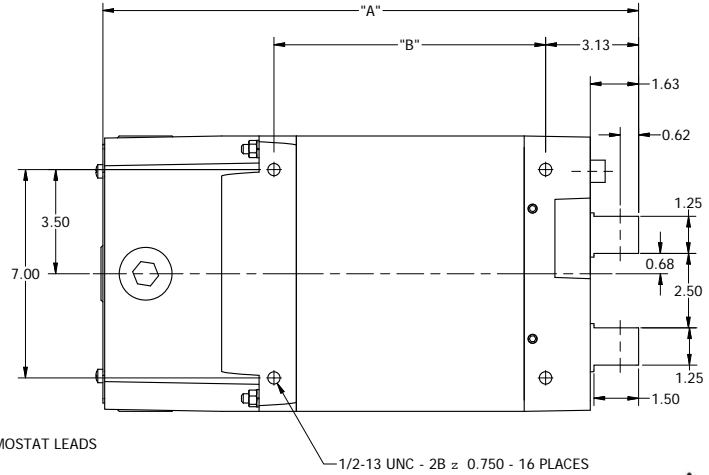
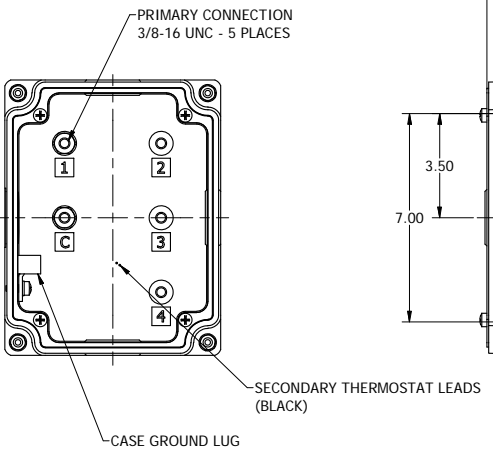
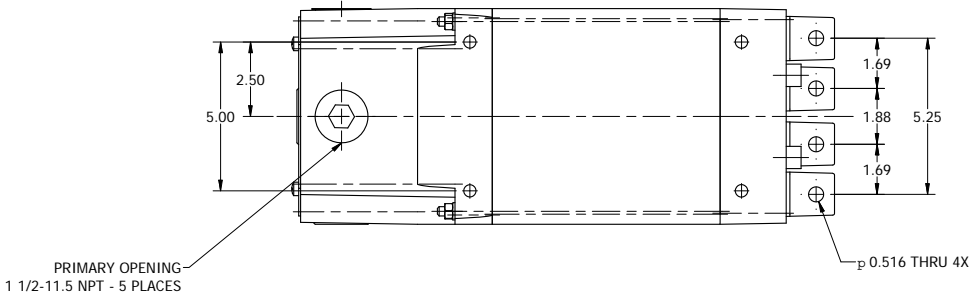
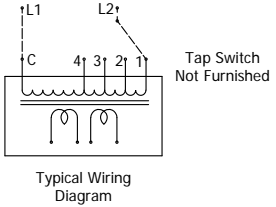


FRAME	Dimension "A"	Dimension "B"
A	16.88	8.00
E	18.00	9.12
B	19.88	11.00
J	21.62	12.75
JL	25.00	16.12



**VIEW SHOWN WITH  
COVER REMOVED**



**T. J. SNOW CO.**  
120 Nowlin Lane • P.O. Box 22847  
Chattanooga, Tennessee 37421  
Phone: (423) 894-6234 • Fax: (423) 892-3889  
welders@tjsnow.com or www.tjsnow.com

REV	DESCRIPTION	EJM	KLY	10/15/2012	DATE
A	CHANGED ORIENTATION OF PRIMARY STUDS. ADDED WIRING DIAGRAM				
REV	DESCRIPTION				DATE
DATE	7/6/2012	APPROVED	166.0 lbmass		
<b>TRANSFORMER ASSEMBLY</b>					
RWMA STAGGERED - A, E, B, J, L				DRAWING NUMBER: <b>R4506</b>	