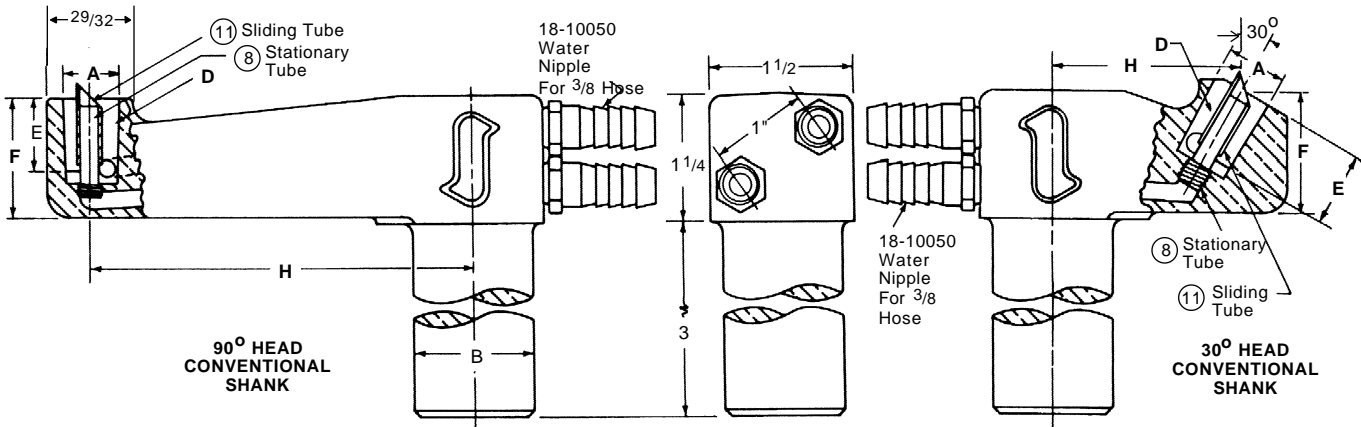


400 SERIES OFFSET (NON-EJECTOR) WATER COOLED ELECTRODE HOLDERS



T.J. Snow Co. (423) 894-6234; FAX: (423) 490-2417 (authorized distributor CMW Inc.)



CONVENTIONAL SHANK

HOLDER ASSEMBLY NUMBER	Angle of Head	HOLDER SIZE						⑧ Stationary Tube	⑪ Sliding Tube	Angle of Head	HOLDER ASSEMBLY NUMBER	
		A Major Taper Dia.	B Shank Dia.	D Taper	E Engagement with Std. Electrode	F Head Height	H Offset					
18-402	90°	.463	7/8	4RW	1/2	1-1/16	2	18-40041-1	18-40043-1	90°	_____	
18-403			1								1MT	_____
18-404			1-1/4								1MT	_____
18-407	90°	.613	7/8	5RW	3/4	1-1/4	2	18-40041-1	18-40043-2	90°	_____	
18-408			1								2MT	_____
18-409			1-1/4								2MT	_____
18-422	90°	.463	7/8	4RW	1/2	1-1/16	4	18-40041-1	18-40043-1	90°	_____	
18-423			1								1MT	_____
18-424			1-1/4								1MT	_____
18-428	90°	.613	1	5RW	3/4	1-1/4	4	18-40041-1	18-40043-2	90°	_____	
18-429			1-1/4								2MT	_____
18-442			30°								.463	7/8
18-443	1	1MT		_____								
18-444	1-1/4	1MT		_____								
18-448	30°	.613	1	5RW	3/4	1-1/4	2	18-40041-1	18-40043-2	30°	_____	
18-449			1-1/4								2MT	_____
18-462			30°								.463	7/8
18-463	1	1MT		_____								
18-464	1-1/4	1MT		_____								
18-468	30°	.613	1	5RW	3/4	1-1/4	4	18-40041-1	18-40043-2	30°	_____	
18-469			1-1/4								2MT	_____

Holders of other shank diameters and lengths or tapers and with Reverse Shank are available on request.

REVERSE SHANK

