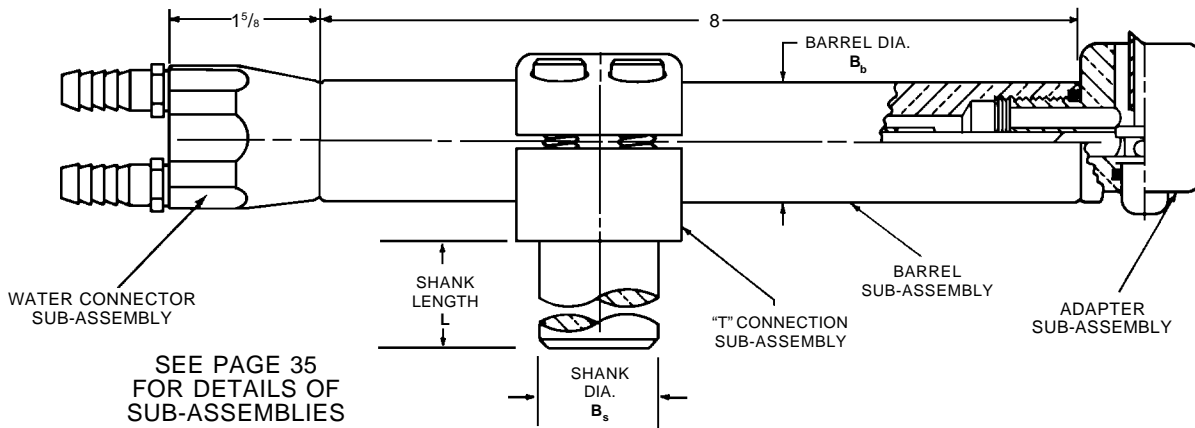


600 SERIES UNIVERSAL WATER COOLED ELECTRODE HOLDERS



T.J. Snow Co. (423) 894-6234; FAX: (423) 490-2417 (authorized distributor CMW Inc.)



Part No.	Head Angle	Bbl. Dia. B _b	Shank Dia. B _s	Shank Length L	Head Assy.	Bbl. Assy.	"T" Conn. Assy.
----------	------------	--------------------------	---------------------------	----------------	------------	------------	-----------------

4RW 1MT

18-601	90°				18-764		18-725
18-602	30°	1	7/8	3	18-765		
18-603	90°				18-764	18-701	18-726
18-604	30°	1	1	3	18-765		
18-605	90°				18-764	18-702	18-727
18-606	30°	1 1/4	1 1/4	3 1/2	18-765		
18-607	90°				18-764	18-702	18-730
18-608	30°	1 1/4	1 1/2	4	18-765		

5RW 2MT

18-611	90°				18-766	18-701	18-725
18-612	30°	1	7/8	3	18-767		
18-613	90°				18-766	18-701	18-726
18-614	30°	1	1	3	18-767		
18-615	90°				18-766	18-702	18-727
18-616	30°	1 1/4	1 1/4	3 1/2	18-767		
18-617	90°				18-766	18-702	18-730
18-618	30°	1 1/4	1 1/2	4	18-767		
18-621	Str.	1	7/8			18-701	18-725
18-622	Str.	1	1	3			
18-623	Str.	1 1/4	1 1/4	3 1/2	18-768	18-702	18-727
18-624	Str.	1 1/4	1 1/2	4			
18-651	90°				18-780	18-704	18-727
18-652	30°	1 1/4	1 1/4	3 1/2	18-781		
18-657	90°				18-780	18-704	18-730
18-658	30°	1 1/4	1 1/2	4	18-781		

Part No.	Head Angle	Bbl. Dia. B _b	Shank Dia. B _s	Shank Length L	Head Assy.	Bbl. Assy.	"T" Conn. Assy.
----------	------------	--------------------------	---------------------------	----------------	------------	------------	-----------------

5RW 2MT

18-655	90°				18-780	18-705	18-728
18-656	30°	1 1/2	1 1/4	4	18-781		
18-653	90°				18-780	18-705	18-729
18-654	30°	1 1/2	1 1/2	4	18-781		
18-671	Str.	1 1/4	1 1/4	3 1/2		18-704	18-727
18-672	Str.	1 1/2	1 1/2	4		18-705	18-729
18-673	Str.	1 1/2	1 1/4		18-784	18-705	18-728
18-674	Str.	1 1/4	1 1/2	4		18-704	18-730

5RW 2MT with Threaded Adapter

18-6515	90°				18-7805	18-704	18-727
18-6525	30°	1 1/4	1 1/4	3 1/2	18-7815		
18-6535	90°				18-7805	18-705	18-729
18-6545	30°	1 1/2	1 1/2	4	18-7815		

6RW with Threaded Adapter

18-6516	90°				18-7806	18-704	18-727
18-6526	30°	1 1/4	1 1/4	3 1/2	18-7816		
18-6536	90°				18-7806	18-705	18-729
18-6546	30°	1 1/2	1 1/2	4	18-7816		

7RW 3MT

18-661	90°				18-782	18-704	18-727
18-662	30°	1 1/4	1 1/4	3 1/2	18-783		
18-665	90°				18-782	18-705	18-728
18-666	30°	1 1/2	1 1/4	4	18-783		
18-663	90°				18-782	18-705	18-729
18-664	30°	1 1/2	1 1/2	4	18-783		

BARREL SUB. ASSY.	BARREL PART NO.	WATER CONNECT. SUB ASSY.
18-701	18-37210-8	18-74000-8
18-702	18-37310-8	
18-704	18-37510-8	
18-705	18-37610-8	