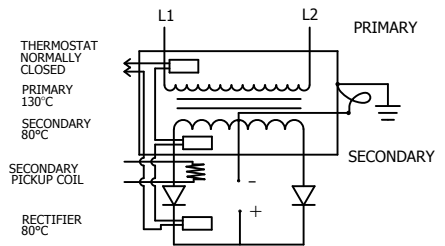
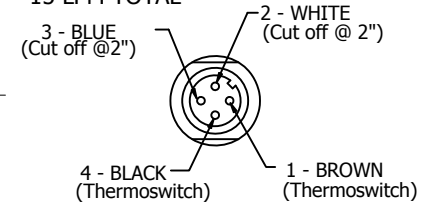
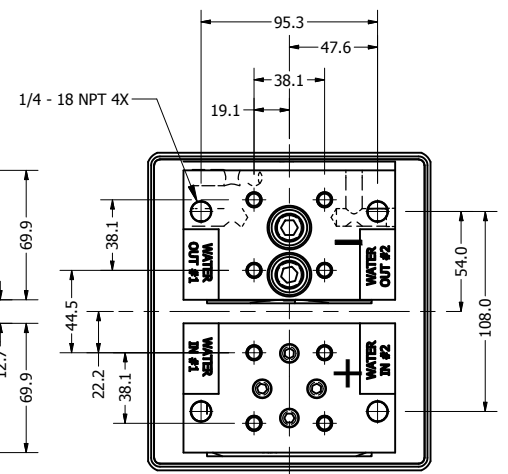
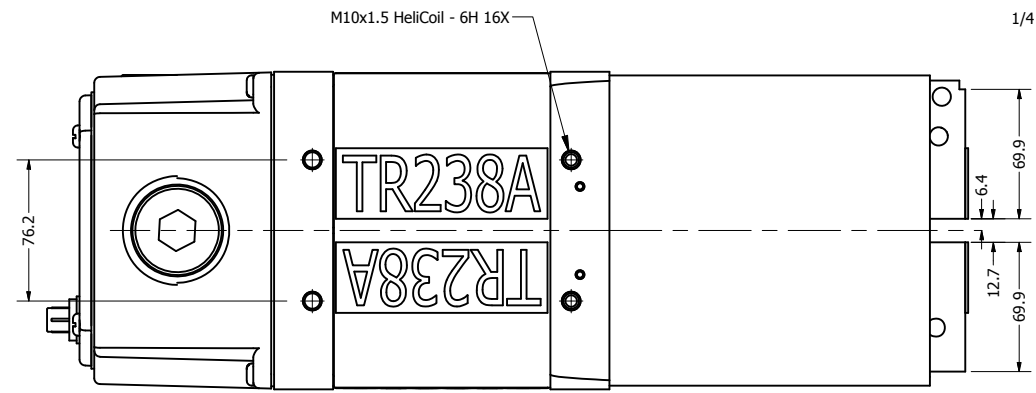
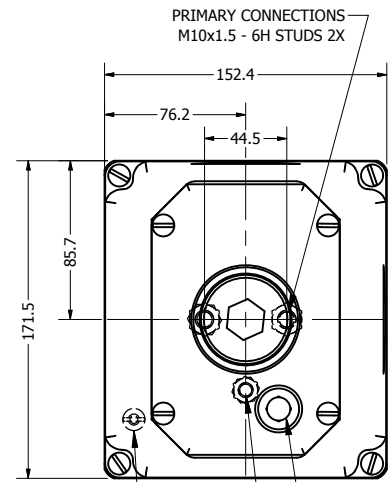
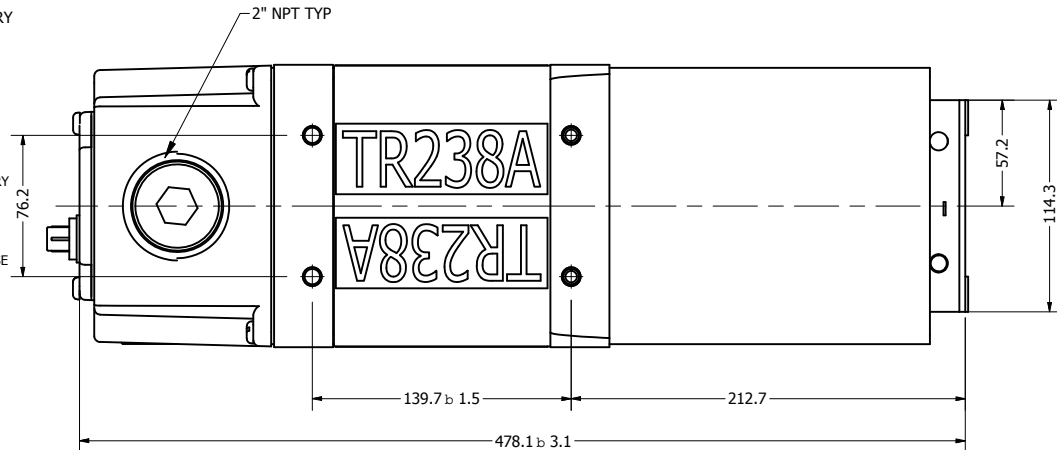


ROMAN MODEL	CUSTOMER REFERENCE	KVA @ 50% D.C.	PRI V/ FREQ	V/SEC	TURNS RATIO	MAX Δ P. / CIRCUIT
TDC-7000	TR238A	225	650V/1000HZ	13.0	50:1	14 PSI
TDC-7080	TR***	225	500V/1000HZ	13.1	38:1	14 PSI

COOLING REQUIREMENTS: 7.5 LPM PER CIRCUIT @ 30°C MAX.
15 LPM TOTAL



TRANSFORMER CASE MUST BE GROUNDED. TRANSFORMER WILL BE SHIPPED WITH A JUMPER CONNECTING SECONDARY CENTER TAP TO CASE. USER MUST PROVIDE APPROPRIATE GROUNDING OF SECONDARY CIRCUIT.
NOTE:
SECONDARY OUTPUT TERMINALS ARE DESIGNED AS ELECTRICAL CONNECTIONS, MECHANICAL FORCES ON THESE CONNECTIONS MAY VOID WARRANTY.
FOR APPLICATIONS ABOVE A 20% DUTY CYCLE, CONTACT ROMAN MANUFACTURING FOR ASSISTANCE.



THERMOSWITCH PLUG
SECONDARY CENTER TAP M8x1.25 - 6H
CASE GROUND M6-1.0

NOTE*
The secondary terminals of this device are intended as an electrical connection only. Applications must be designed to minimize any forces applied to the secondary terminals, this can be accomplished by transferring forces to a structural member.

DIMENSIONS: MM

REV	DESCRIPTION	DATE
D	ADDED "CUSTOMER REFERENCE" TO CHART	5/11/2012
C	REV'D SEC. PADS, REV'D PRI. HOUSING, STUDS WERE M8, OAL WAS 452.7. ADDED TDC-7080	3/14/2012
B	ADDED POLARITY MARKINGS, ADDED PRESSURE DROP, RE-RATED TO 225KVA	1/31/2012

THIS DRAWING AND ALL THE INFORMATION AND TECHNOLOGY IN IT ARE EXCLUSIVE, CONFIDENTIAL AND PROPRIETARY TO Roman MFG, INC. THIS DRAWING IS OWNED BY Roman MFG, INC. AND UNLESS SPECIFICALLY AUTHORIZED IN WRITING, NO COPIES SHALL BE MADE OF THIS DRAWING, AND SHALL BE USED ONLY FOR THE LIMITED PURPOSE FOR WHICH IT IS DISCLOSED AND ONLY TO THE BENEFIT OF Roman MFG, INC., AND IT AND ANY COPIES, AUTHORIZED OR NOT, SHALL BE IMMEDIATELY RETURNED UPON ANY REQUEST THEREFORE.

SCALE: NONE
DATE: 9/20/2011
DRAWN BY: bonner
WEIGHT: 110.6 lbmass

POWER SUPPLY

PHYSICAL DRAWING DRAWING NUMBER: **7000-1**