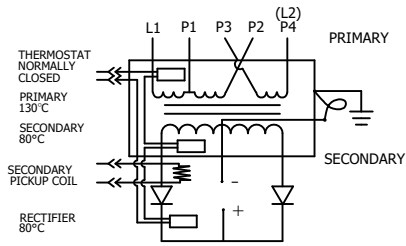


ROMAN MODEL	KVA @ 50% DUTY CYCLE	PRI V/ FREQ	SEC VOLTAGE	SECONDARY CONTINUOUS CURRENT (kA)	TURNS RATIO	MAX Δ P. / CIRCUIT	APPROX. WEIGHT
TDC-7537	225	650V/1000HZ	13.0 - 17.5	12.2 - 9.0	50:1 - 37:1	14 PSI	108 LBS [49 Kg]
TDC-7825	225	500V/1000HZ	13.1 - 17.8	12.1 - 8.9	38:1 - 28:1	14 PSI	108 LBS [49 Kg]
TDC-8271	225	800V/1000HZ	13.1 - 17.7	12.1 - 8.9	61:1 - 45:1	14 PSI	108 LBS [49 Kg]

COOLING REQUIREMENTS: 7.5 LPM PER CIRCUIT @ 30°C MAX.
15 LPM TOTAL

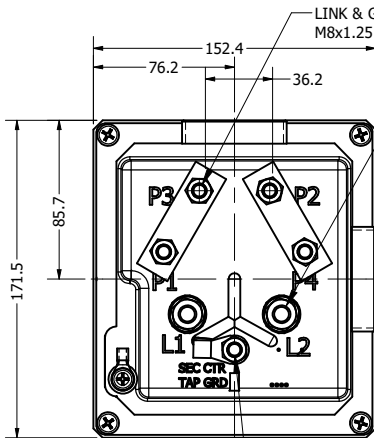
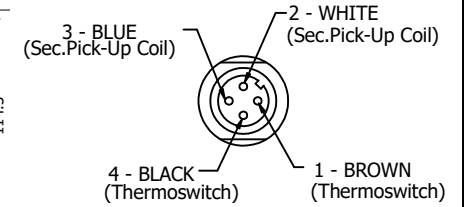
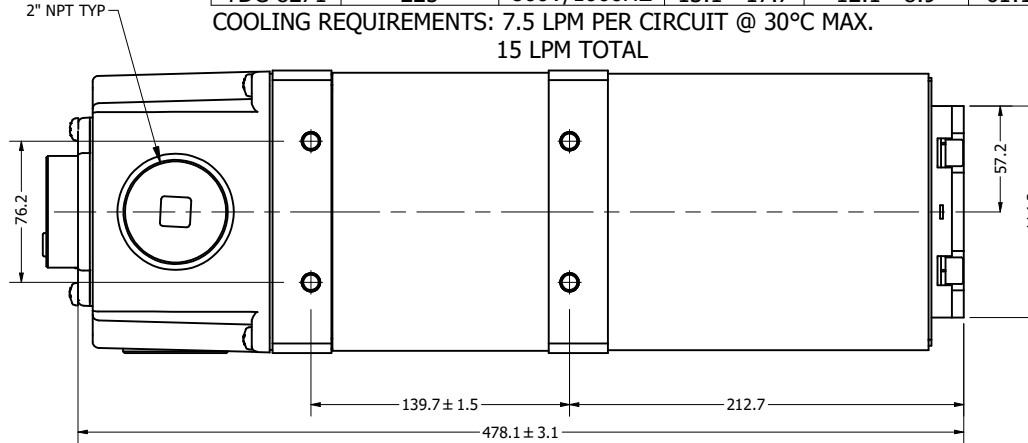


TRANSFORMER CASE MUST BE GROUNDED. TRANSFORMER WILL BE SHIPPED WITH A JUMPER CONNECTING SECONDARY CENTER TAP TO CASE. USER MUST PROVIDE APPROPRIATE GROUNDING OF SECONDARY CIRCUIT.

NOTE: SECONDARY OUTPUT TERMINALS ARE DESIGNED AS ELECTRICAL CONNECTIONS. MECHANICAL FORCES ON THESE CONNECTIONS MAY VOID WARRANTY.

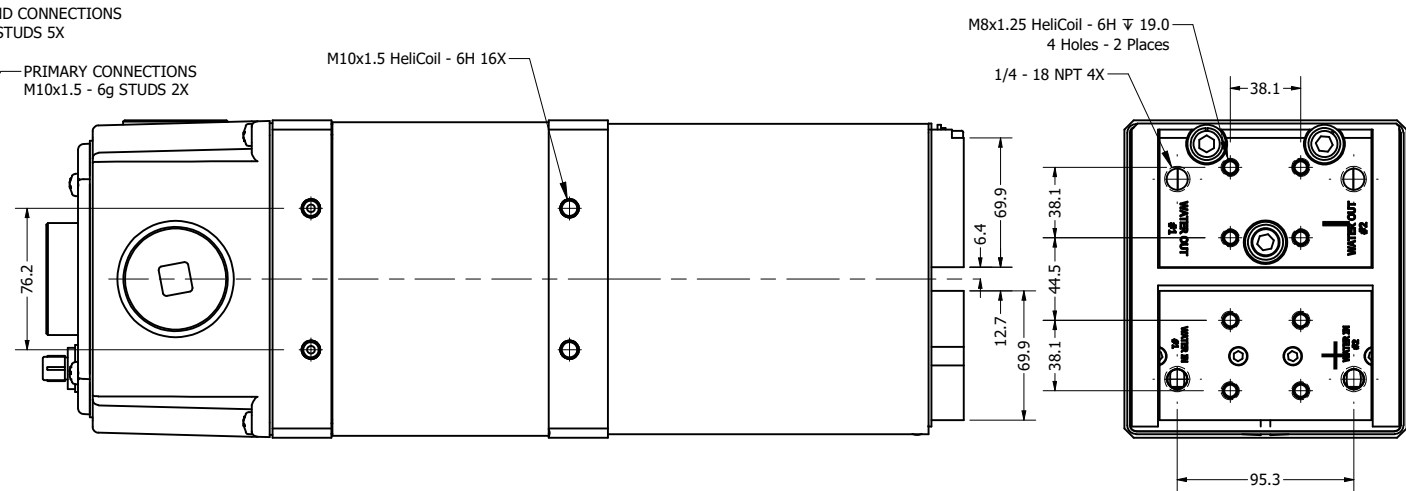
FOR APPLICATIONS ABOVE A 20% DUTY CYCLE, CONTACT ROMAN MANUFACTURING FOR ASSISTANCE.

CONNECT P2-P3 FOR LO TAP
OR P1-P3 & P2-P4 FOR HI TAP



SECONDARY CENTER TAP
M8x1.25 - 6H

VIEW SHOWN WITH COVER REMOVED



NOTE*
The secondary terminals of this device are intended as an electrical connection only. Applications must be designed to minimize any forces applied to the secondary terminals, this can be accomplished by transferring forces to a structural member.

DIMENSIONS: MM

N	ADDED "CONTINUOUS" TO SEC CURRENT INFO TO TABLE	KLY	KLY	5/18/20
M	ADDED SEC CURRENT INFO	KLY	KLY	1/29/2020
L	ADDED APPROX. WEIGHT	RB	KLY	5/16/2019
K	SWITCHED P2 AND P3 IN SCHEMATIC	KLY	KLY	5/9/2019
J	ADDED 800V MODEL (TDC-8271)	BCC	BCC	1/25/2019

REV	DESCRIPTION	DATE
-----	-------------	------

© 2017 Copyright RoMan Manufacturing. THIS DRAWING AND ALL THE INFORMATION AND TECHNOLOGY IN IT ARE EXCLUSIVE, CONFIDENTIAL AND PROPRIETARY TO RoMan MANUFACTURING, INC. THIS DRAWING IS OWNED BY RoMan MANUFACTURING, INC., AND UNLESS SPECIFICALLY AUTHORIZED IN WRITING, NO COPIES SHALL BE MADE OF THIS DRAWING, AND SHALL BE USED ONLY FOR THE LIMITED PURPOSE FOR WHICH IT IS DISCLOSED AND ONLY TO THE BENEFIT OF RoMan MANUFACTURING, INC. AND IT AND ANY COPIES, AUTHORIZED OR NOT, SHALL BE IMMEDIATELY RETURNED UPON ANY REQUEST THEREFORE.

SCALE: NONE	RoMan MANUFACTURING	DETAILER: jbetit
DATE: 7/8/2015		DESIGNER: jbetit
		APPROX. WEIGHT: N/A

POWER SUPPLY

	PHYSICAL DRAWING	DRAWING NUMBER: 7537-1
--	------------------	------------------------